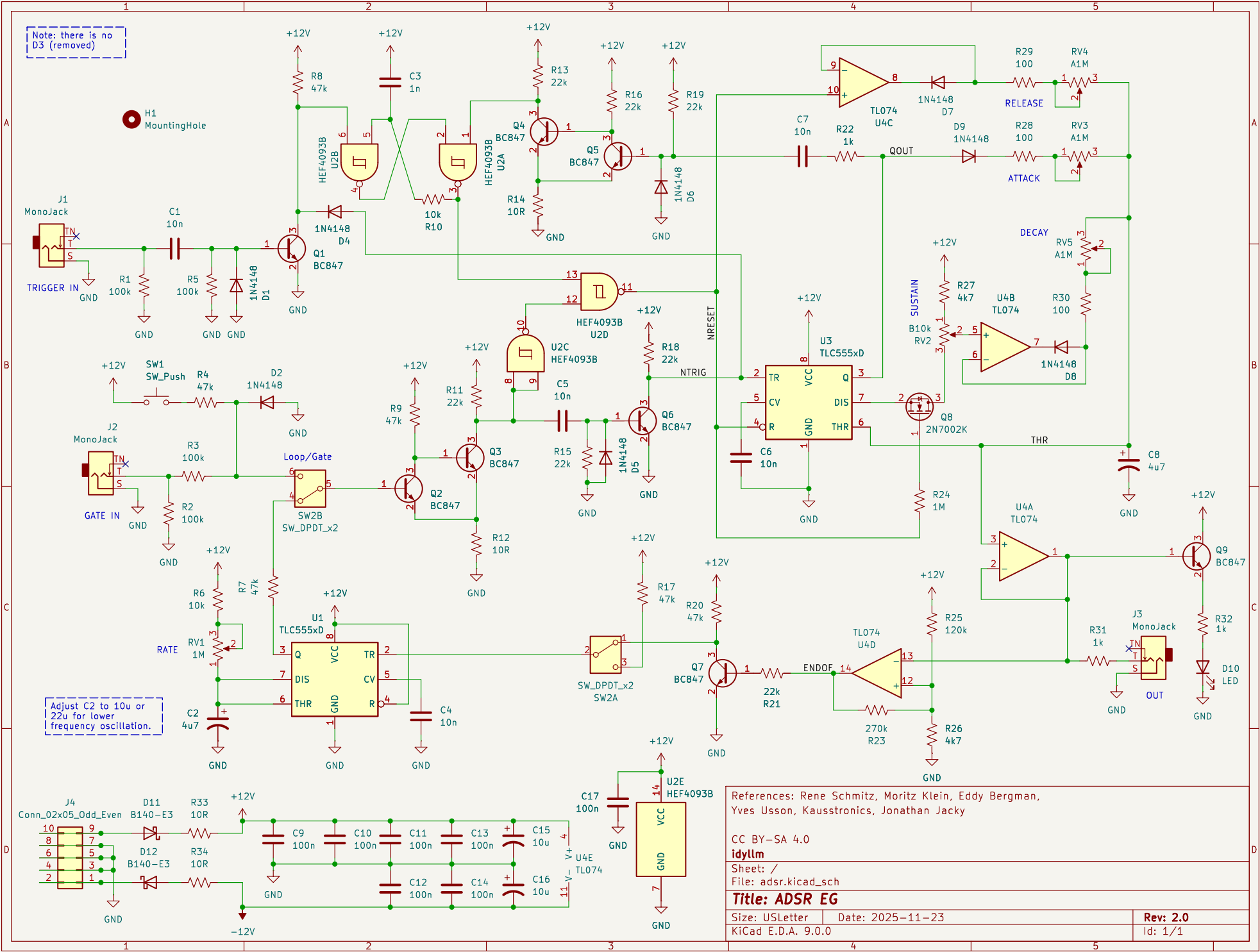


Note: there is no D3 (removed)



Adjust C2 to 10u or 22u for lower frequency oscillation.

References: Rene Schmitz, Moritz Klein, Eddy Bergman, Yves Usson, Kausstronics, Jonathan Jacky

CC BY-SA 4.0
idyllm
Sheet: /
File: adsr.kicad_sch

Title: ADSR EG

Size: USLetter Date: 2025-11-23
KiCad E.D.A. 9.0.0

Rev: 2.0
Id: 1/1