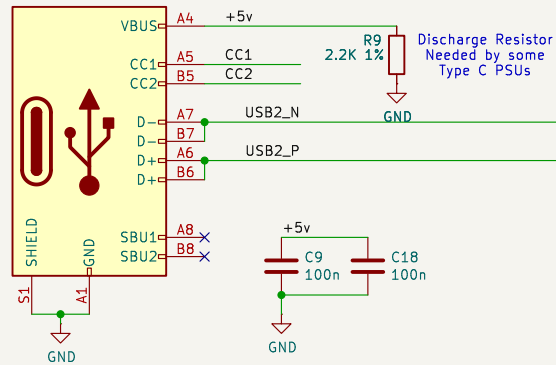
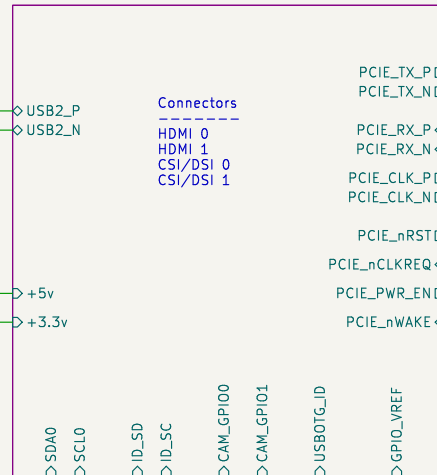


TypeC Power connector

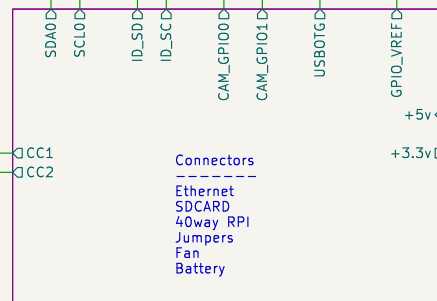
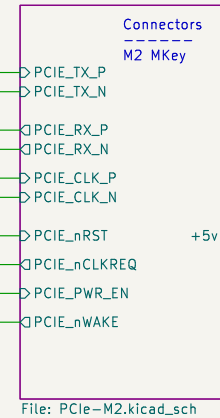
J11
USB_C_Receptacle_USB2.0



CM5_HighSpeed
File: CM5_HighSpeed.kicad_sch



PCIe-M2



CM5_GPIO (Ethernet, GPIO, SDCARD)
File: CM5_GPIO.kicad_sch

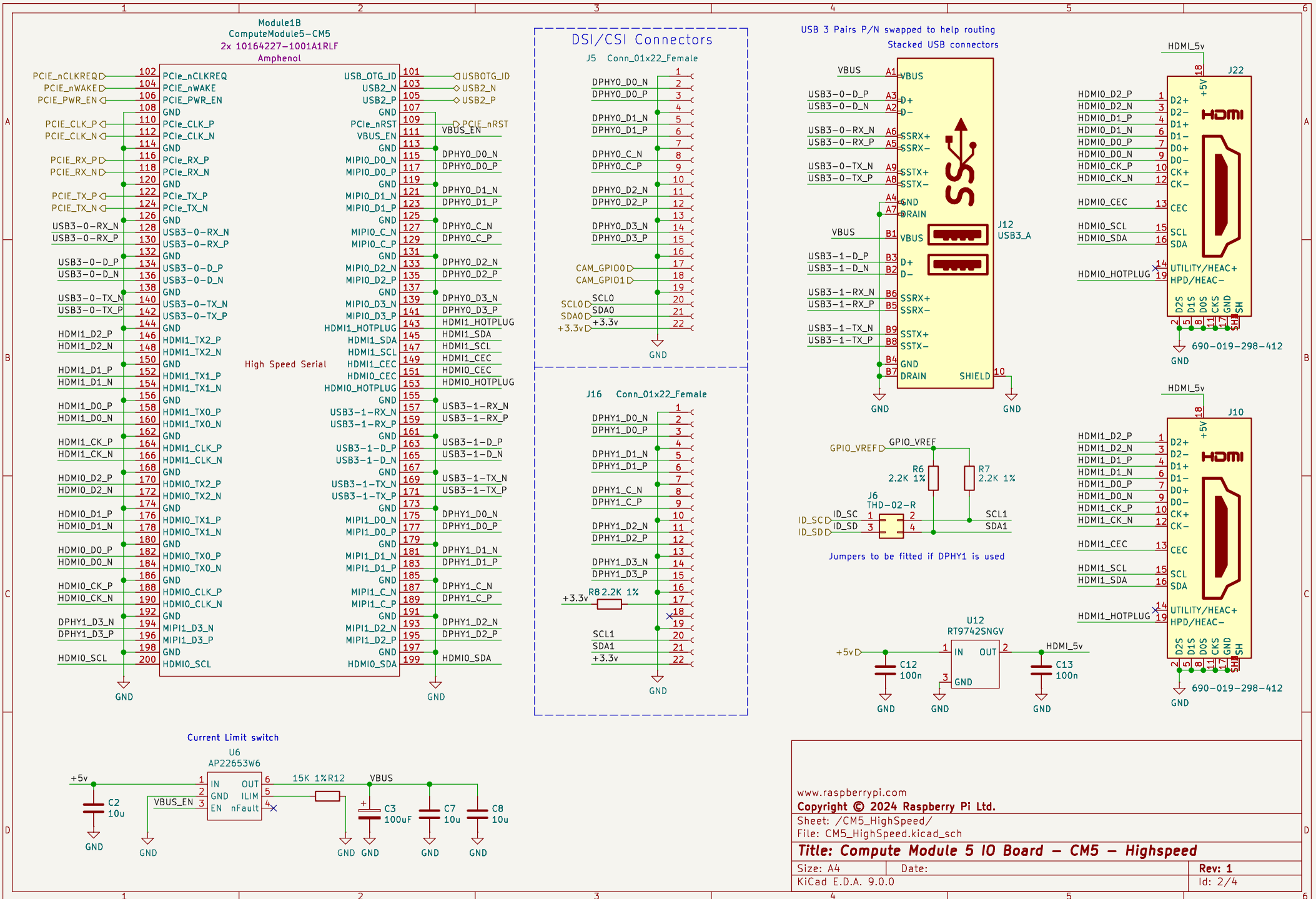
- ~~H1~~ MountingHole
- ~~H2~~ MountingHole
- ~~H3~~ MountingHole
- ~~H4~~ MountingHole
- ~~H5~~ MountingHole
- ~~H6~~ MountingHole
- ~~H7~~ MountingHole
- ~~H8~~ MountingHole

www.raspberrypi.com
Copyright © 2024 Raspberry Pi Ltd.

Sheet: /
File: CM510.kicad_sch

Title: Compute Module 5 IO Board – Top Level

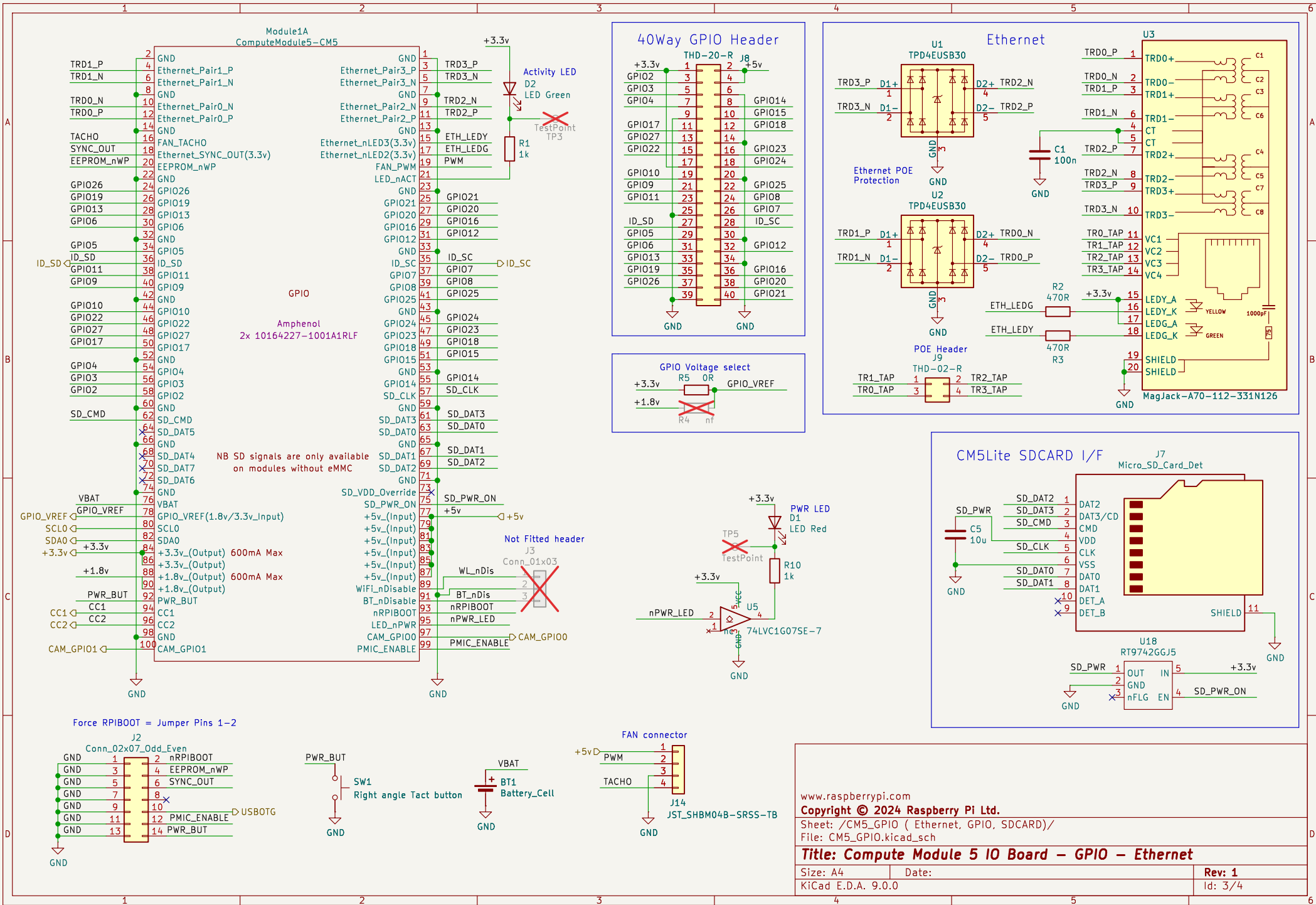
Size: A4	Date:	Rev: 1
KiCad E.D.A. 9.0.0		Id: 1/4

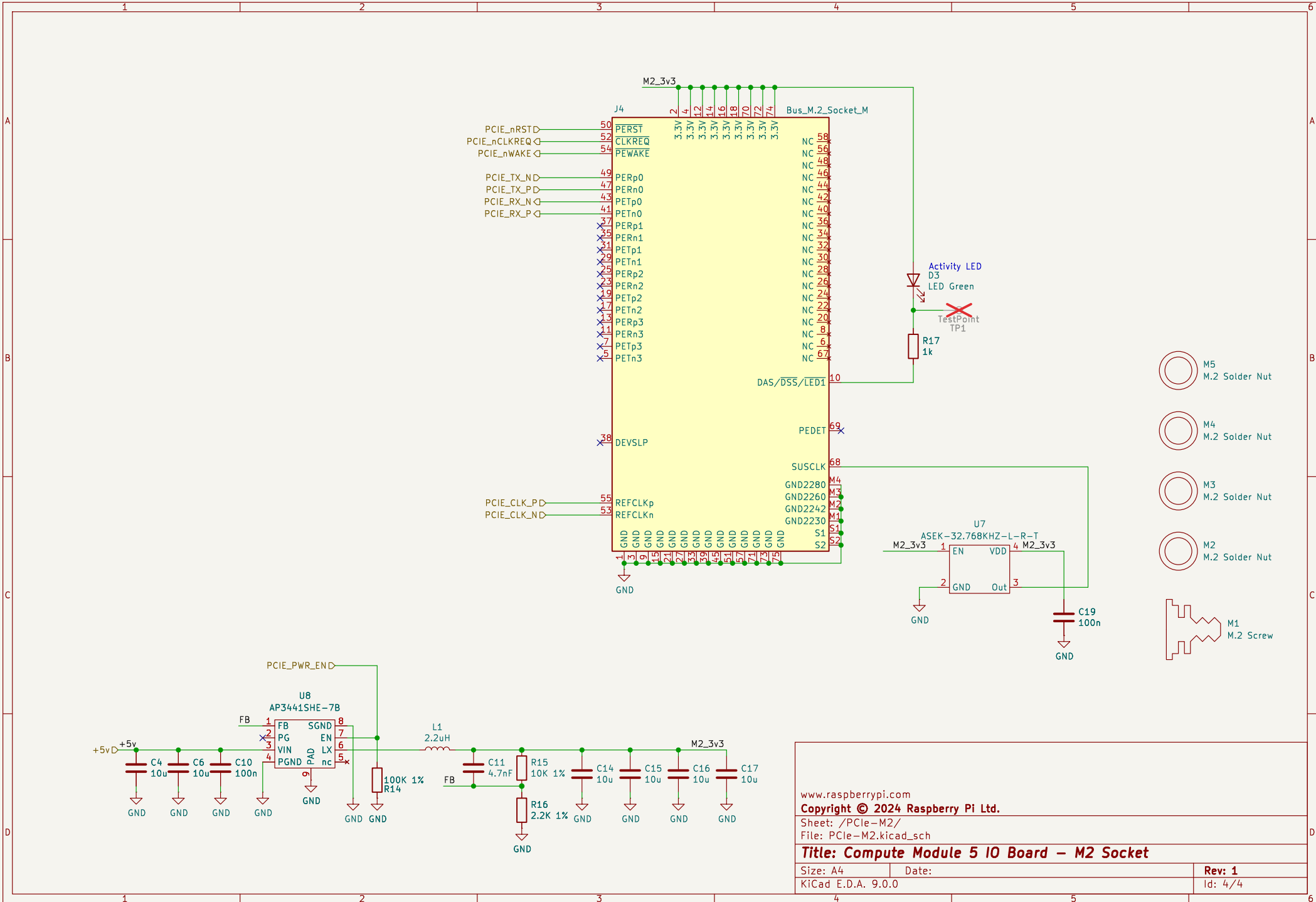


www.raspberrypi.com
 Copyright © 2024 Raspberry Pi Ltd.
 Sheet: /CM5_HighSpeed/
 File: CM5_HighSpeed.kicad_sch

Title: Compute Module 5 IO Board - CM5 - Highspeed

Size: A4	Date:	Rev: 1
KiCad E.D.A. 9.0.0		Id: 2/4





www.raspberrypi.com
 Copyright © 2024 Raspberry Pi Ltd.

Sheet: /PCle-M2/
 File: PCle-M2.kicad_sch

Title: Compute Module 5 IO Board - M2 Socket

Size: A4	Date:	Rev: 1
KiCad E.D.A. 9.0.0		Id: 4/4